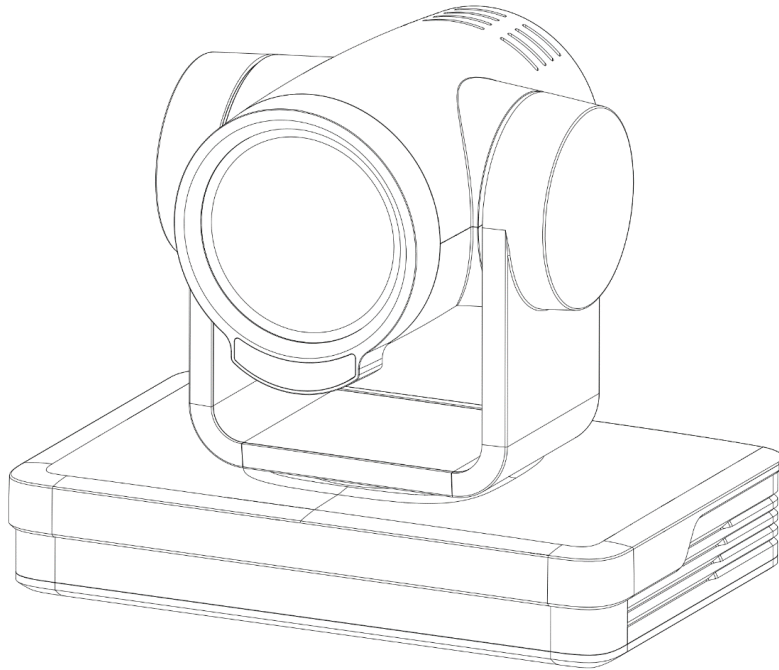


# BC420T



This series camera has perfect functions, superior performance and rich video output interfaces; Featuring with advanced ISP processing algorithms, offering vivid and high resolution video with a strong sense of depth and fantastic color rendition. It supports H.264/H.265 encoding which makes motion video more fluent and clear under low bandwidth conditions.

- **4K Resolution:** 1/2.8 inch high quality CMOS sensor.  
Resolution is up to 3840×2160 with frame rate up to 30 fps.
- **Optical Zoom Lens:** 12X optical zoom lens.
- **Leading Auto Focus Technology:** Fast, accurate and stable auto focusing technology.
- **Laser Rangefinder:** Assist focusing, make the focusing speed faster and more stable (effective distance 4 meters).
- **Low Noise and High SNR:** Super high SNR image is achieved with low noise CMOS. Advanced 2D/3D noise reduction

technology further reduces the noise while ensuring high image clarity.

- **Multiple video output interfaces:** Simultaneously output audio and video signal via HDMI, USB3.0 and LAN. LAN support POE power supply.
- **Multiple Video Audio Compression Standards:** Support YUY2, MJPEG、H.264, NV12 video encoding formats, and H.264 support 3840\*2160 resolution. Support AAC, MP3 and G.711A audio compression, 8000, 16000,32000,44100,48000 sampling frequency.
- **Audio Input:** Support AAC, MP3, G.711A audio coding, AAC, MP3 coding support 32000, 44100, 4800 sampling rate.
- **Built-in Gravity Sensor:** Support PTZ auto-flip function and easy installation.
- **Multiple Network Protocol:** Support ONVIF, GB/T28181, RTSP, RTMP protocols; Support RTMP push mode, easy to be connected to streaming server (Wowza, FMS); Support RTP multicast mode; Support network full command VISCA control protocol.
- **Control Interface:** RS422 compatible with RS485, RS232-IN, RS232-OUT, RS232 (cascade connection)
- **Multiple Control Protocol:** Support VISCA, PELCO-D, PELCO-P protocols; Support automatic identification protocols.
- **Quiet Pan / Tilt Movement:** With high accuracy step driving motor, camera can pan / tilt extremely quiet and smooth.
- **Multiple presets:** Up to 255 presets (10 presets via remote control).
- **IR / Wireless Remote Control:** Users can choose IR remote

control or wireless remote control according to different conditions. 2.4G wireless remote control is not affected by the angle, distance or infrared interference. Far-end-control is also available.

- **Multiple Application:** Online-education, Lecture Capture, Webcasting, Video conferencing, Tele-medicine, Unified Communication, Emergency command and control systems, etc.

## 1.1 Technical Specification

Table1-1 Camera Lens Parameter

Parameter/Model	12X
<b>Lens Parameter</b>	
Image Sensor	1/2.8 inch high quality CMOOS sensor
Effective Pixel	851M, 16: 9
Video Signal	HDMI: 4KP30、4KP25、1080P30、1080P25、1080P29.97; “P” represent (Progressive) scanned image. “i” represent (interlaced) scanned image. USB3.0 YUY2/NV12 support 1920×1080/1080×1920/1280×720/720×1080P30/25/20/15/10/5fps; MJPEG/H.264 support 3840×2160/2160×3840/1920×1080/1080×1920/1600×896/1280×720/720×1280P30/25/20/15/10/5fps

Optical Zoom	12X
Viewing Angle	H: 7.6° (N) ~80.5° (W)
Iris Value	F1.8 ~ F3.6±5%
Minimum Illumination	0.5Lux(F1.8, AGC ON)
DNR	2D & 3D
White Balance	Auto/Manual/One-push/Specified Color Temperature
Focus Mode	Auto/Manual/One-push
Exposure Mode	Auto, Manual, Shutter Priority, Iris Priority, Brightness Priority
Iris	F1.8 ~ F11, CLOSE
Shutter Speed	1/25~1/10000
BLC	On/Off
Dynamic Range	Off, 1 ~ 8
Video Adjustment	Brightness, Hue, Saturation, Contrast, Sharpness, Black and White Mode, Gamma Curve
SNR	>50dB

Table1-2 Interface Parameter

Interface Parameter	
Interface	HDMI, LAN(POE), USB3.0 ( Type B compatible with USB2.0) , A-IN, RS232-IN, RS232-OUT, RS422 ( compatible with RS485) ,Rotary Dip Switch, DC12V Power Supply, Power Switch

Video Coding Formats	LAN: Support H.264, H.265 USB3.0 : Support YUY2, MJPEG, H.264, NV12
Audio Input	Dual channel 3.5mm linear input
Audio Output	HDMI, LAN, USB3.0
Audio Compression Format	AAC, MP3, G.711A
LAN Port	10M/100M/1000M adaptive Ethernet port, support POE power supply, support audio and video output
Network Protocols	RTSP, RTMP, ONVIF, GB/T28181; Network VISCA control protocol; Support remote upgrade, reboot and reset
Control Jack	RS232-IN, RS232-OUT, RS422 compatible with RS485
Serial Port Communication Protocols	VISCA/Pelco-D/Pelco-P; Baud Rate: 115200/38400/9600/4800/2400
USB Communication Protocols	UVC (Video Communication Protocols) , UAC (Audio Communication Protocols)
Power Supply	HEC3800 Power Socket (DC12V)
Power Adapter	Input: AC110V-AC220V ; Output: DC12V/2.5A
Input Voltage	DC12V±10%
Input Current	<1A
Power Consumption	<12W

Table1-3 PTZ Parameter

<b>PTZ</b>	
Pan	-170° ~+170°

Tilt	-30° ~+90°
Pan Speed	0.1°/s~60°/s
Tilt Speed	0.1°/s~45°/s
Preset Speed	Pan: 60°/s, Tilt: 45°/s
Preset Quantity	Maximum 255(10 via remote control)

Table1-4 Other Parameter

<b>Other Parameters</b>	
Storage Temperature	-10°C~+70°C
Storage Humidity	20%~95%
Working Temperature	-10°C~+50°C
Working Humidity	20%~80%
Dimension	181 (L) mm×115mm (W) ×149mm (D)
Weight	Appx. 1.2kg
Environment	Indoors

Table1-5 Accessory Parameter

<b>Accessory</b>	
Standard	Power Adapter, RS232 cable, USB3.0 Cable, Remote Control, User Manual
Optional	Mounting Bracket

# Dimension

